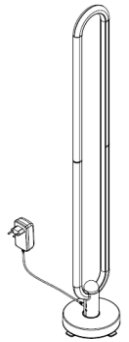


EN LED floor lamp Solight WO63

Dear customer, thank you for purchasing our product. Please read the following instructions carefully and follow them to serve you safely and to your full satisfaction. This will prevent misuse or damage. Avoid unprofessional handling of this appliance and always observe the electrical appliance usage guidelines. Keep the instruction manual carefully.

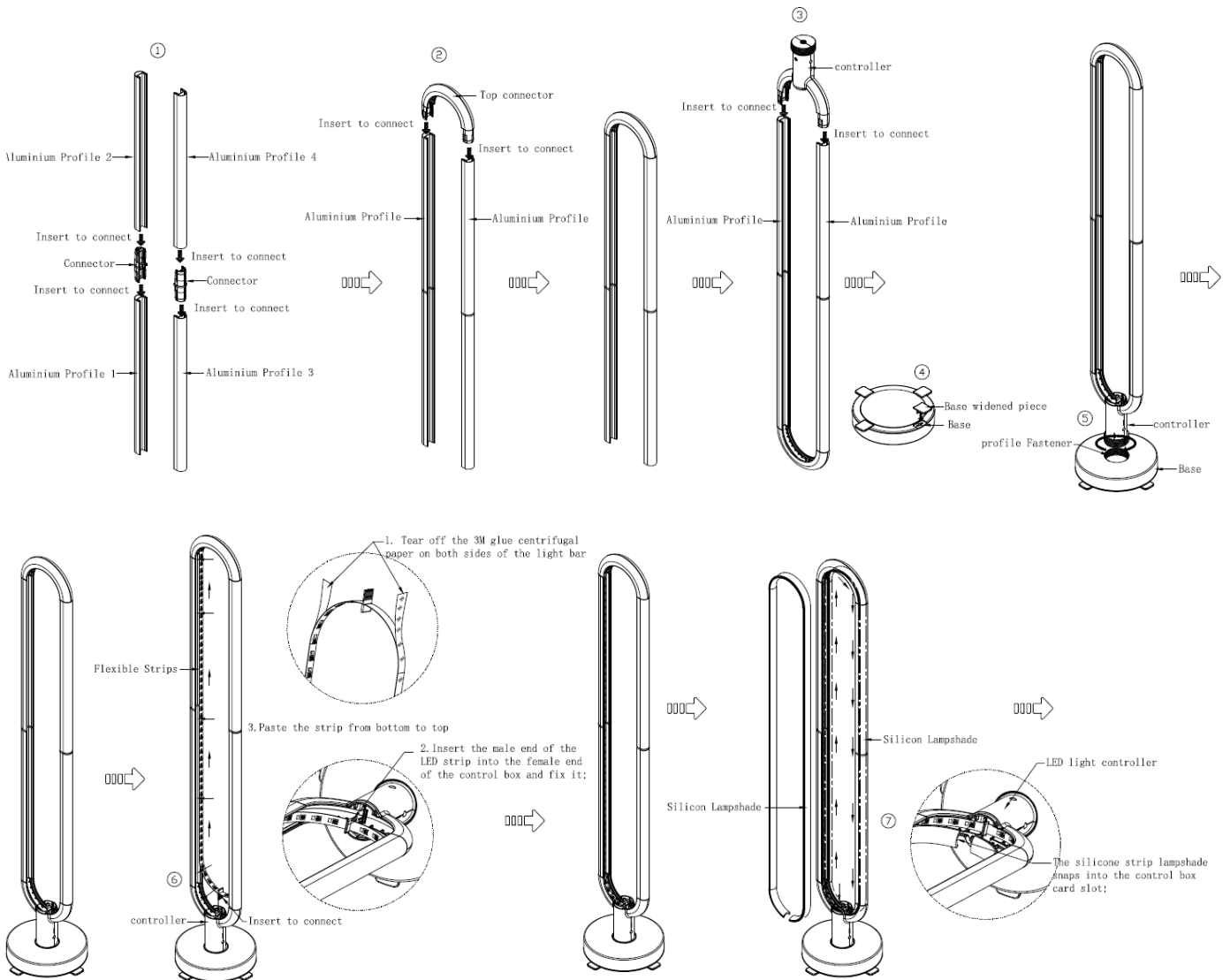
Notice

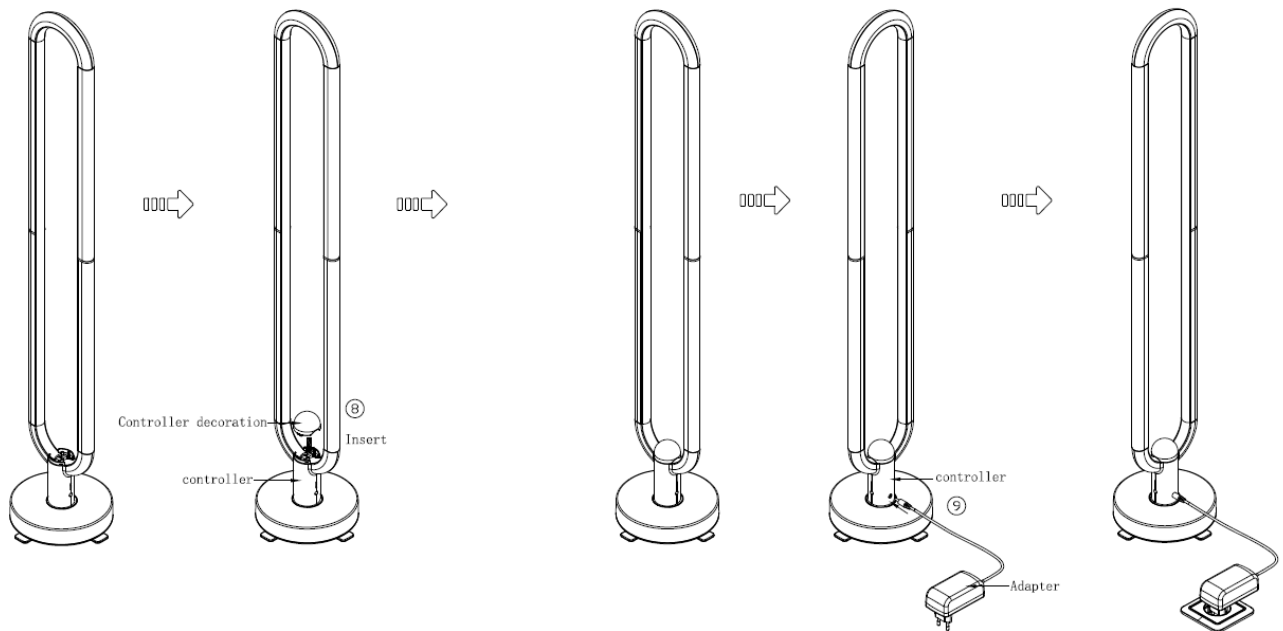
- Avoid placing the luminaire near objects that are sources of heat or moisture.
- Do not look directly at a lit luminaire for long periods of time as this may cause discomfort or damage to your eyes.
- Do not expose the luminaire to the outdoors, direct rain or immerse it in water. The luminaire is intended for indoor use.
- Periodically wipe the luminaire with a dry or damp cloth only when the luminaire is unplugged.



Installation

First, assemble the individual parts and connect them with the plastic connectors. Continue by assembling the base. Next, glue on the LED strip, start by connecting the USB C power connector, then continue around the circuit. Put on the silicone diffuser (cover strip). Start at the bottom, at the location of the USB C connector, gently squeeze the diffuser to attach it to the aluminum structure, continue around the perimeter. Place the dome-shaped cap on the bottom of the flashlight. Finally, plug in the power adapter.



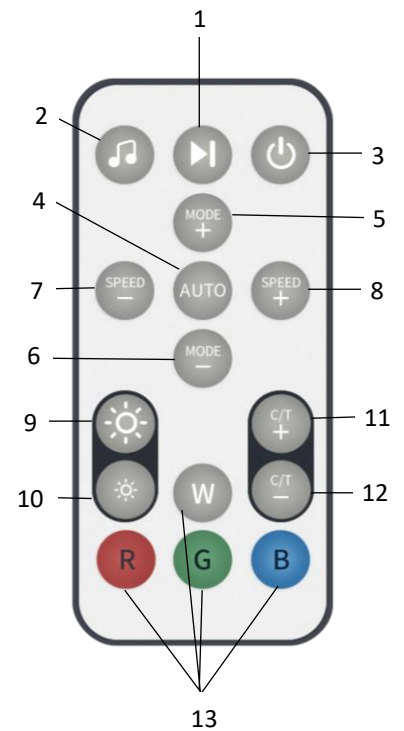


Parameters

	Luminaire	Driver
Power	DC 12 V	Battery CR2025 3 V
Power	20 W	
Operating temperature	-20 °C ~ +60 °C	
Controller range	5 m	

Description of driver functions

1	Pause/Play	Stop/start the effect
2	Music mode	Press to activate the music mode, in which the light changes to the rhythm of the music. Further presses cycle through the different music modes.
3	ON/OFF/Wifi	Short presses turn the light on and off. When the light is on, press and hold the button for 5 seconds to enter Wi-Fi mode.
4	Automatic mode switching	Automatic mode switching. Each mode lasts 30 sec.
5	Mode switching	Forward mode change
6	Mode switching	Reverse mode change
7	Reducing the speed of the effect	Change the effect speed in music mode
8	Increase the speed of the effect	Change the effect speed in music mode
9	Increase brightness	Changing the brightness in static lighting mode
10	Brightness reduction	Changing the brightness in static lighting mode
11	Chromaticity change	Changing chromaticity towards cool white
12	Chromaticity change	Changing chromaticity towards warm white
13	Changing the light colour	Change the light colour according to the button colour



Download and install the Smart Life app

STEP 1 Search Google Play or the App Store for and install the Smart Life apps.

STEP 2 Register a new account using your email or phone number and log in to the app

STEP 3 Switch to pairing mode

In order to pair the luminaire with the Smart Life app, it needs to be switched to pairing mode. This is indicated by flashing and is activated by plugging and unplugging the luminaire 4 times in succession. After the fourth plugging in, you need to wait a few seconds and the strip will flash.

STEP 4 Add a device

Launch the Smartlife app and tap the "+" button in the top right corner -> Lighting -> Lights (Wi-Fi). Then enter the login details of the wifi network your phone is currently connected to and tap "Next". On the next screen, confirm by tapping "Confirm the light is blinking rapidly;" that the light is blinking rapidly and then tap "Next". The pairing process takes a while. After successful pairing, the device will appear in the overview on the main screen of the app.

STEP 4 Tap the device to control it according to the functions offered by the app you downloaded, e.g. the Smart Life app mentioned above.

You can find the video guide on Youtube by searching for the term *solight led smart wifi* or scan the QR code

Note: The lights can only be connected to 2.4GHz WIFI.

The product is covered by a declaration of conformity in accordance with the applicable regulations. On request from the manufacturer: info@solight.cz, or downloadable from www.solight.cz. This product contains a light source which for design reasons cannot be removed for verification and therefore the whole product is considered to be a light source.

Producer: Solight Holding, s.r.o., Na Brně 1972, Hradec Králové 500 06, Czech Republic



Smart
LifeGoogle



Smart Life
App Store



CE  IP20